

# JVC

8.2" Multi-format LCD Monitor

## DT-V9L5

## DT-F9L5

**Compact and robust multi-format high-resolution LCD monitors for professional applications. Studio-use DT-V9L5 model and field-use DT-F9L5 model**

DT-V9L5



**HDMI**  
HIGH-DEFINITION MULTIMEDIA INTERFACE

DT-F9L5



**HDMI**  
HIGH-DEFINITION MULTIMEDIA INTERFACE

\* Monitor mounting arm, tripod and camcorder are not included

### Features (DT-V9L5 and DT-F9L5)

- HD SDI input/output (1.5G) with embedded audio (16ch support)
- 16ch audio level indicator for embedded audio
- HDMI™ input × 1
- Mercury-free LED backlight
- IMD (In Monitor Display) function based on TSL's UMD protocol ver. 4.0
- Vector scope, waveform, histogram, and marker functions
- Remote function RS-232C in and MAKE/TRIGGER
- LTC, VITC, and D-VITC time code support
- Durable metal cabinet
- WXGA (1280 × 800) display
- Front-panel headphone jack

### Features (DT-V9L5 only)

- AC/DC operation
- Tally lamp with separate/alternate mode
- Built-in speakers (1W mono)
- Desktop stand with tilt function

### Features (DT-F9L5 only)

- Compact and lightweight with DC operation for field use
- Front tally lamp with separate/alternate mode
- Zebra, focus assist functions and rear tally lamp for location monitor usage

Specifications	DT-V9L5	DT-F9L5	
Display	Type	8.2" LCD Display	
	Drive system	ADS	
	Backlighting	LED (white LED)	
	Resolution	1280 (Horizontal) x 800 (Vertical) WXGA	
	Surface treatment	Glare	
	Panel brightness	360cd/m <sup>2</sup>	450cd/m <sup>2</sup>
	Contrast ratio	800:1	
	Aspect ratio	16:10	
	Viewing angle	160° (Horizontally) 160° (Vertically)	
	Display color	16.7million	
Latency	Less than 1 frame		
Response time	24 msec		
General	Weight	3.2kg (with stand), 2.3kg (without stand)	1.7Kg for Europe/Asia model 1.6Kg for US model
	Dimensions (WxHxD)	217mm x 176mm x 116mm (without stand) 8-5/8" x 7" x 4-5/8" (without stand) 217mm x 218mm x 185mm (with stand) 8-5/8" x 8-5/8" x 7-3/8" (with stand)	217mm x 176mm x 83.5mm 8-5/8" x 7" x 3-3/8"
	Power requirements	AC: 120V, 220V-240V 50/60Hz DC: 12V-17V	DC: 12V-17V
	Rated input current	0.5A (AC 120V), 0.25A (AC220V-240V), 1.3A (DC12V-17V)	1.3A (DC 12V-17V)
	Battery adaptor		IDX V-Mount for Europe/Asia model Anton Bauer QR Mount for US model
	Audio output	Internal speaker 1W (mono)	
Input terminals	VESA standard	100mm & 75mm M4x4	
	Composite (CVBS) IN	BNC x 1	
	Component IN	BNC x 3 (Y/Pb/Pr)	
	HDMI INPUT	HDMI connector x 1	
	HD/SD SDI INPUT	BNC x 2	
	AUDIO INPUT	RCA x 1 (mono)	
	Composite (CVBS) OUT	BNC x 1 with loop through	
	HD/SD SDI OUTPUT	BNC x 1 (Switched and rec-locked), (Embedded audio 16ch)	
	AUDIO OUTPUT	RCA x 2 (Monitor out)	
	Headphone OUT	Mini jack x 1 (Front)	
Output terminals	External control (Remote)	RS-232C: D-SUB 9pin x 1 RJ-45: 8pin x 1 (MAKE/TRIGGER)	
	Provided accessories	AC Power Cord, Power cord holder, Protect filter	Tripod Base (1/4-20UNC, 3/8 - 16UNC), Protect filter

Optional accessories: Rack mount adaptor for DT-V9L5 (RAK92LCD2), AC power adapter for DT-F9L5U (ADPV16)  
Anton Bauer Battery Package for DT-F9L5U (AB-DIONIC-PKG )

Signal Name*1	Input Terminal			
	VIDEO	Analog COMPO.	E.AUDIO*2 HD/SD SDI	HDMI
NTSC NTSC 4.43	✓	—	—	—
PAL-M PAL60	✓	—	—	—
PAL PAL-N	✓	—	—	—
SECAM	✓	—	—	—
B/W50 B/W60	✓	—	—	—
480/60i	—	✓	—	✓
480/59.94i	—	✓	✓	✓
576/50i	—	✓	✓	✓
480/60p	—	✓	—	✓
480/59.94p	—	✓	—	✓
576/50p	—	✓	—	✓
640x480/60p	—	—	—	✓
640x480/59.94p	—	—	—	✓
720/60p	—	✓	—	✓
720/59.94p	—	✓	—	✓
720/50p	—	✓	—	✓
720/30p	—	—	—	—
720/29.97p	—	—	✓	—
720/25p	—	—	✓	—
720/24p	—	—	✓	—
720/23.98p	—	—	✓	—
1080/60i	—	✓	✓	✓
1080/59.94i	—	✓	✓	✓
1035/60i	—	—	✓	✓
1035/59.94i	—	—	✓	✓
1080/50i	—	✓	—	✓
1080/60p	—	✓	—	✓
1080/59.94p	—	✓	—	✓
1080/50p	—	✓	—	✓
1080/30p	—	—	—	✓
1080/29.97p	—	—	✓	✓
1080/25p	—	—	✓	✓
1080/24p	—	—	✓	✓
1080/23.98p	—	—	✓	✓
1080/30PsF	—	—	✓ <sup>3</sup>	—
1080/29.97PsF	—	—	✓ <sup>14</sup>	—
1080/25PsF	—	—	✓ <sup>15</sup>	—
1080/24PsF	—	—	✓	—
1080/23.98PsF	—	—	✓	—

✓ : Compatible — : Not compatible

\*1 For signal format other than E.AUDIO HD/SD SDI input "-/59.94", "-/29.97", and "-/23.98" will be displayed as "-/60", "-/30" and "-/24" respectively.

\*2 Compatible with EMBEDDED AUDIO signals.

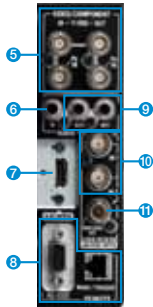
\*3 The signal is recognised as 1080/60i, and the status is displayed as "1080/60i"

\*4 The signal is recognised as 1080/59.94i, and the status is displayed as "1080/59.94i"

\*5 The signal is recognised as 1080/50i, and the status is displayed as "1080/50i"

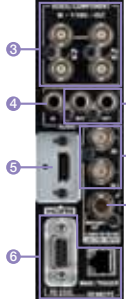
## Terminals

### DT-V9L5



- Power switch
- AC IN
- DC switch
- DC IN
- VIDEO/COMPONENT terminal (BNC)
- AUDIO IN
- HDMI INPUT
- REMOTE terminal
- AUDIO OUT
- E.AUDIO HD/SD SDI (IN 1, IN 2) terminal (BNC)
- E.AUDIO HD/SD SDI (SWITCHED OUT) terminal (BNC)

### DT-F9L5

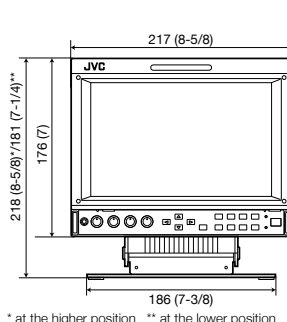


- Power switch
- DC IN
- VIDEO/COMPONENT terminal (BNC)
- AUDIO IN
- HDMI INPUT
- REMOTE terminal
- AUDIO OUT
- E.AUDIO HD/SD SDI (IN 1, IN 2) terminal (BNC)
- E.AUDIO HD/SD SDI (SWITCHED OUT) terminal (BNC)

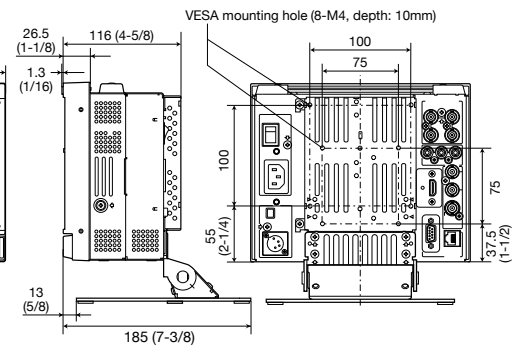
## External Dimensions

Unit: mm (inches)

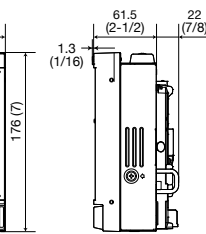
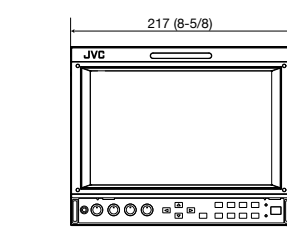
### DT-V9L5



\* at the higher position \*\* at the lower position



### DT-F9L5



Europe/Asia model

US model

HDMI, the HDMI logo and High-Definition Multimedia Interface are trademarks or registered trademarks of HDMI Licensing LLC. All other brand or product names may be trademarks and or registered trademarks of their respective owners. Any rights not expressly granted herein are reserved. All information in this document is subject to change without notice. Copyright © 2013, JVCENWOOD Corporation. All Rights Reserved.

Simulated pictures.  
The values for weight and dimensions are approximate.  
E.&O.E. Design and specifications subject to change without notice.

# JVC

DISTRIBUTED BY